

# INSTRUCTION MANUAL

## SONANCE LANDSCAPE SERIES LSV10SUB IN-GROUND SUBWOOFER



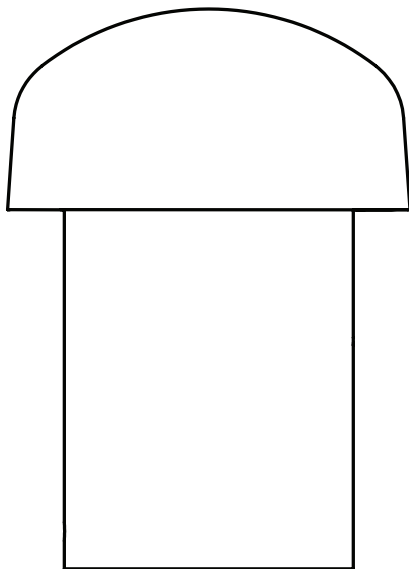
### Introduction

Thank you for purchasing a SLS Subwoofer. When properly installed, this subwoofer will provide you with years of outdoor entertainment pleasure. To get the most out of your new subwoofer, please read this manual thoroughly before you begin installation.

### Box Contents

SLS In-ground subwoofer boxes contain:

- (1) In-ground subwoofer
- (2) Silicon filled wire nuts



In-Ground Subwoofer

### Subwoofer Location Selection

The SLS is designed to deliver a seamless, evenly dispersed sound field in an 'open air' environment. An array of multiple Satellite speakers and Subwoofers should be strategically placed to minimize 'hot spots' and 'nulls' as you move around the outdoor entertainment area.

**AS A GENERAL GUIDELINE, (1) SUBWOOFER WILL COVER ABOUT 2000 SQUARE FEET OF LISTENING AREA**

Figure 1 Shows The SLS placed along the perimeter of the entertainment area. See Figure 1.

Select a central location for the subwoofer if using only one subwoofer (see Figure 1) if using multiple subwoofers, select locations that are the same distance from the main listening area.

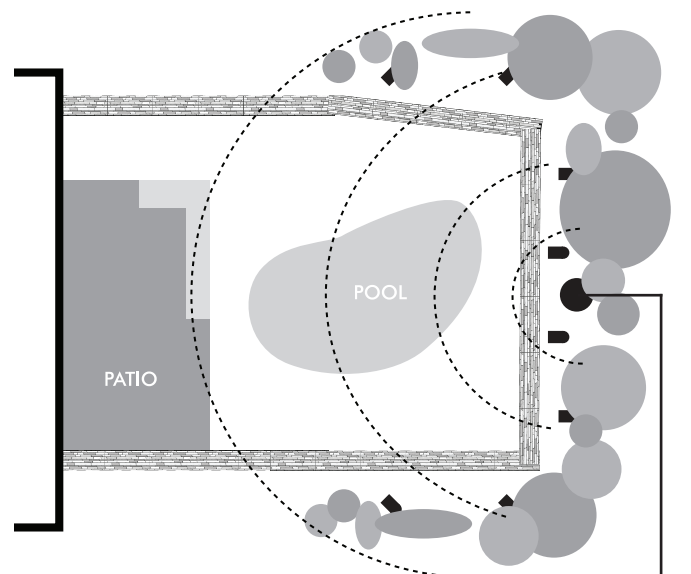


Figure 1

### Sonamp DSP 2-750

#### Amplifier Power Planning

The maximum number of satellites and subwoofers that can be used in a system will depend on the amplifier power, refer to the SLS wattage calculator on the Sonance website ([www.sonance.com/outdoor/sonance-landscape-series/subwoofers](http://www.sonance.com/outdoor/sonance-landscape-series/subwoofers)).

## Subwoofer Installation

70 volt audio systems allow for speakers to be daisy chained together. In a typical system with one zone of audio you simply run a stereo or 4 conductor wire from the amplifier to the closest speaker. Once you have designated your first speaker as either left or right, continue alternating the wires between the left and right channels creating a daisy chain of stereo satellites. The Subwoofer can be wired anywhere in the chain. See Figure 4.

**NOTE: SONANCE STRONGLY RECOMMENDS THE USE OF 14 GAUGE, OR LARGER, DIRECT BURIAL GRADE WIRE.**

**CAUTION: THE AMPLIFIER SHOULD NOT BE CONNECTED TO AC POWER UNTIL ALL CONNECTIONS ARE COMPLETED. HIGH POWER 70VOLT AMPLIFIERS PRESENT A SERIOUS SHOCK HAZARD. DO NOT CONNECT SPEAKER WIRES TO THE AMPLIFIER UNTIL ALL OTHER CONNECTIONS ARE COMPLETED.**

1. Locate the subwoofer in an area that will not flood with standing water.
2. Dig the hole using the guide. See Figure 2  
LSV10SUB: A=4" B=14" C=10"

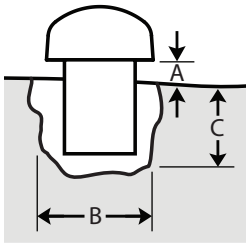


Figure 2

3. Prepare a 'bed' for the subwoofer that is reasonably free of voids and large rocks.

## SLS Wiring Diagram 70V



Sonamp DSP 2-750 Amplifier  
LS48SATs/LS68SATs & LSV10SUB

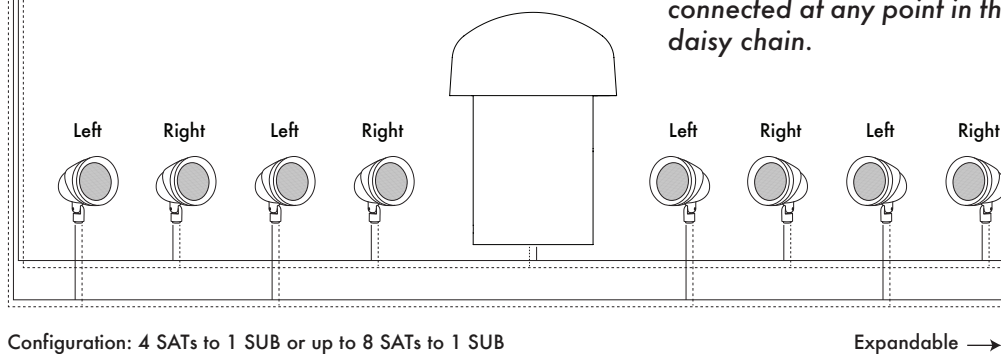


Figure 4

4. Place the subwoofer into the ground.
5. Fine tune the enclosure depth as required so that the bottom of the canopy will be 4" above the finished grade after backfill.
6. Dig a 4" – 5" deep trench to run the speaker wires in.
7. Run the wire through the trench from your amplifier to the first speaker location.
8. Connect the direct burial wire to each speaker wire, connections should be made with either silicone filled wire connectors or appropriate junction boxes. See Figure 3.

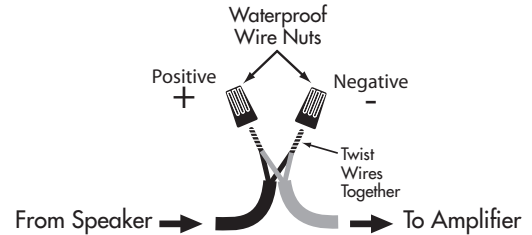


Figure 3

**IMPORTANT: BE SURE NOT TO LET ANY STRAY '+' & '-' STRANDS TOUCH EACH OTHER. TOUCHING STRANDS CAN CAUSE A SHORT-CIRCUIT THAT COULD DAMAGE YOUR AMPLIFIER.**

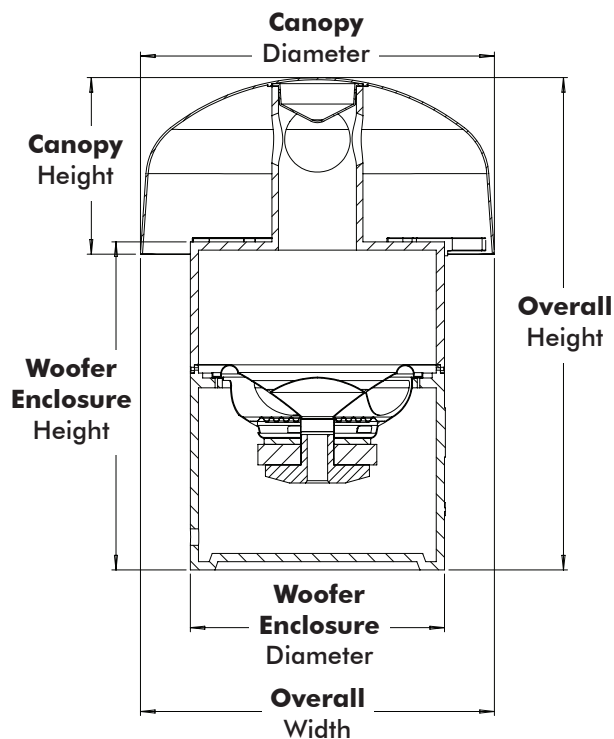
**NOTE: CONFIRM THAT YOU HAVE CONNECTED SPEAKER "+" TO AMPLIFIER "+" AND SPEAKER "-" TO AMPLIFIER "-".**

9. After all the speaker connections are completed, connect the wires to your amplifier. See Figure 4 for reference.
10. Turn your amplifier on and test the system with your favorite music. If the speakers are operating properly, refill the wire trench and enjoy your new speakers.

## Specifications

### LSV10SUB

Woofers:	10" (254mm) polypropylene cone with a Santoprene rubber surround
Frequency Response:	35Hz – 100Hz ±3dB
Transformer:	70V/300W
Enclosure Material:	1/2" (LDPE) non-corrosive sealed enclosure
Finish:	Black enclosure, dark brown textured canopy
Dimensions:	<p><b>Overall</b></p> <p>Width: 17" (431mm)</p> <p>Height: 23 21/32" (599mm)</p> <p><b>Woofers Enclosure</b></p> <p>Height: 15 3/4" (400mm)</p> <p>Diameter: 12 3/16" (310mm)</p> <p><b>Canopy</b></p> <p>Height: 8 15/32" (215mm)</p> <p>Diameter: 17" (431mm)</p>
Shipping Weight:	46.3 lbs (21 kg)



## LIMITED FIVE (5) YEAR WARRANTY

Sonance warrants to the first end-user purchaser that this Sonance-brand product ("Product"), when purchased from an authorized Sonance Dealer/Distributor, will be free from defective workmanship and materials for the period stated below. Sonance will at its option and expense during the warranty period, either repair the defect or replace the Product with a new or remanufactured Product or a reasonable equivalent.

## EXCLUSIONS

TO THE EXTENT PERMITTED BY LAW, THE WARRANTY SET FORTH ABOVE IS IN LIEU OF, AND EXCLUSIVE OF, ALL OTHER WARRANTIES, EXPRESS OR IMPLIED, AND IS THE SOLE AND EXCLUSIVE WARRANTY PROVIDED BY SONANCE. ALL OTHER EXPRESS AND IMPLIED WARRANTIES, INCLUDING THE IMPLIED WARRANTIES OF MERCHANTABILITY, IMPLIED WARRANTY OF FITNESS FOR USE, AND IMPLIED WARRANTY OF FITNESS FOR A PARTICULAR PURPOSE ARE SPECIFICALLY EXCLUDED.

No one is authorized to make or modify any warranties on behalf of Sonance. The warranty stated above is the sole and exclusive remedy and Sonance's performance shall constitute full and final satisfaction of all obligations, liabilities and claims with respect to the Product.

IN ANY EVENT, SONANCE SHALL NOT BE LIABLE FOR CONSEQUENTIAL, INCIDENTAL, ECONOMIC, PROPERTY, BODILY INJURY, OR PERSONAL INJURY DAMAGES ARISING FROM THE PRODUCT, ANY BREACH OF THIS WARRANTY OR OTHERWISE.

This warranty statement gives you specific legal rights, and you may have other rights which vary from state to state. Some states do not allow the exclusion of implied warranties or limitations of remedies, so the above exclusions and limitations may not apply. If your state does not allow disclaimer of implied warranties, the duration of such implied warranties is limited to period of Sonance's express warranty.

Your Product Model and Description: SLS LSV10SUB In-Ground Subwoofers

Warranty Period for this Product: Five (5) years from the date on the original sales receipt or invoice or other satisfactory proof of purchase.

**Additional Limitations and Exclusions from Warranty Coverage:** The warranty described above is non-transferable, applies only to the initial installation of the Product, does not include installation of any repaired or replaced Product, does not include damage to allied or associated equipment which may result for any reason from use with this Product, and does not include labor or parts caused by accident, disaster, negligence, improper installation, misuse (e.g. overdriving the amplifier or speaker, excessive heat, cold or humidity), or from service or repair which has not been authorized by Sonance. **Obtaining Authorized Service:** To qualify for the warranty, you must contact your authorized Sonance Dealer/Installer or call Sonance Customer Service/Technical Support at (949) 492-7777 within the warranty period, must obtain a return merchandise number (RMA), and must deliver the Product to Sonance shipping prepaid during the warranty period, together with the original sales receipt, or invoice or other satisfactory proof of purchase.



©2015 Sonance. All rights reserved. Sonance is a registered trademarks of Dana Innovations.  
Due to continuous product improvement, all features and specifications are subject to change without notice.  
For the latest Sonance product specification information visit our website: [www.sonance.com](http://www.sonance.com)

SONANCE • 991 Calle Amanecer • San Clemente, CA 92672-7531 USA  
(949) 492-7777 • FAX: (949) 361-5151

[www.sonance.com](http://www.sonance.com)